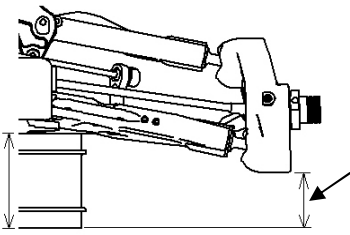
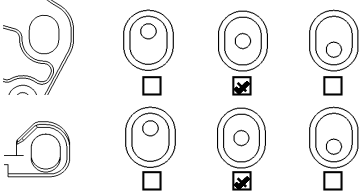
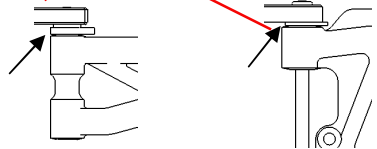
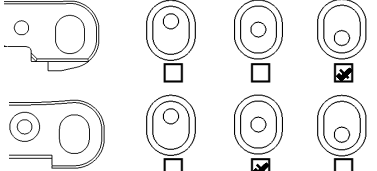
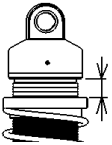
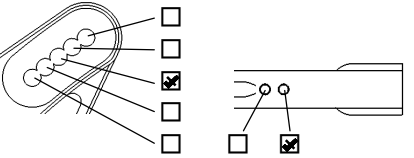
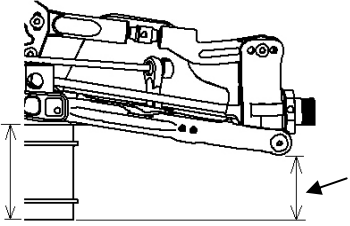
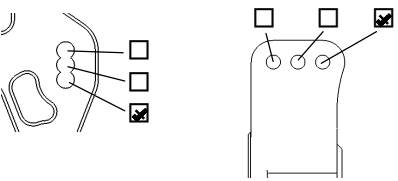
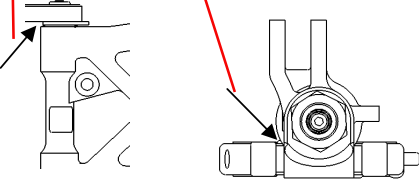
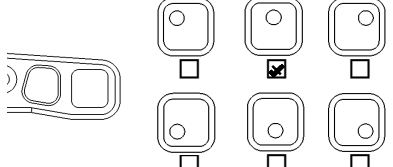
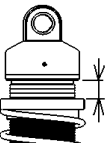
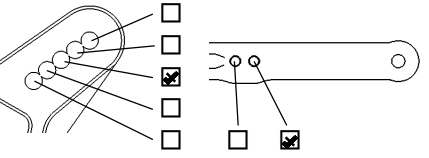


Name: Sven Zünd Date: _____ Track: Padova	Track Conditions Size: <input type="checkbox"/> Open <input checked="" type="checkbox"/> Med. <input type="checkbox"/> Tight Traction: <input type="checkbox"/> High <input checked="" type="checkbox"/> Med. <input type="checkbox"/> Low Surface: <input checked="" type="checkbox"/> Smooth <input type="checkbox"/> Med. <input type="checkbox"/> Bumpy	Result Race Time / Lap: _____ Best Lap (1Lap): _____
--	---	---

Front Suspension  Tension Rod: <input type="checkbox"/> E2107A (Long) <input checked="" type="checkbox"/> E2107B (Short) Upper Arm Position: 	Ride Height: 27mm Toe Angle: 0 Kingpin Ball Spacer: 1 shim Rebound Stop: 104mm Wheel Hub: std Anti Roll Bar: 2.1mm Upper Arm Spacer: 2 Lower Arm Spacer: 0  Lower Arm Position (Kick Up): 
--	--

Front Shocks  Shock Position: 	Piston: 8x1.2 Oil: 37.5 ASSO Spring: 9.25 Spring Adj: _____ Pivot Ball Position: <input type="checkbox"/> Front <input type="checkbox"/> Rear Damper Stay: <input type="checkbox"/> E2502 (Aluminum) <input checked="" type="checkbox"/> E2511 (CFRP)
--	---

Rear Suspension  Upper Arm Position: 	Ride Height: 28 Camber Angle: 2 Rebound Stop: 128 Anti Roll Bar: 2.9 Lower Arm Spacer: 1 Upright Spacer: Mitte  Lower Arm Position (Toe Angle): 
--	--

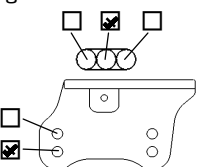
Rear Shocks  Shock Position: 	Piston: 8x1.2 Oil: 32.5 ASSO Spring: 10.75 Spring Adj: _____ Pivot Ball Position: <input checked="" type="checkbox"/> Front <input type="checkbox"/> Rear Damper Stay: <input type="checkbox"/> E2503 (Aluminum) <input checked="" type="checkbox"/> E0535 (CFRP)
---	---

Engine Type: Keep-Off21-4 Gasket: 41029 Muffler: 2096 light Engine Mount: <input type="checkbox"/> E0701 (Standard) <input type="checkbox"/> E0703 (One Piece)	Plug: 6TGC Reducer: 5.4 Fuel: Meccamo 25%
---	---

Diff. Oil Front: 4000 Center: 5000 Rear: 2000	O-Ring: _____ pcs. _____ pcs. _____ pcs.
---	--

Tires Type: _____ Compound: _____ Inserts: _____ Wheel: _____	<table style="width:100%;"> <tr> <th style="width:50%;">Front</th> <th style="width:50%;">Rear</th> </tr> <tr> <td>_____</td> <td>_____</td> </tr> <tr> <td>_____</td> <td>_____</td> </tr> <tr> <td>_____</td> <td>_____</td> </tr> <tr> <td>_____</td> <td>_____</td> </tr> </table>	Front	Rear	_____	_____	_____	_____	_____	_____	_____	_____
Front	Rear										
_____	_____										
_____	_____										
_____	_____										
_____	_____										

Clutch Clutch Bell: 13 Clutch Shoes: 3 Alu Std Clutch Spring: 3x1.0	Spur Gear: 46
---	---------------

Body/Wing Body: Std Wing: Std	Wing Position: 
--	---

Comments: Lenkplatte anderstrum als Std Aluradträger hinten. SW stift hohe position Messing schrauben vorne im lenkhebel komplett alu am antrieb
